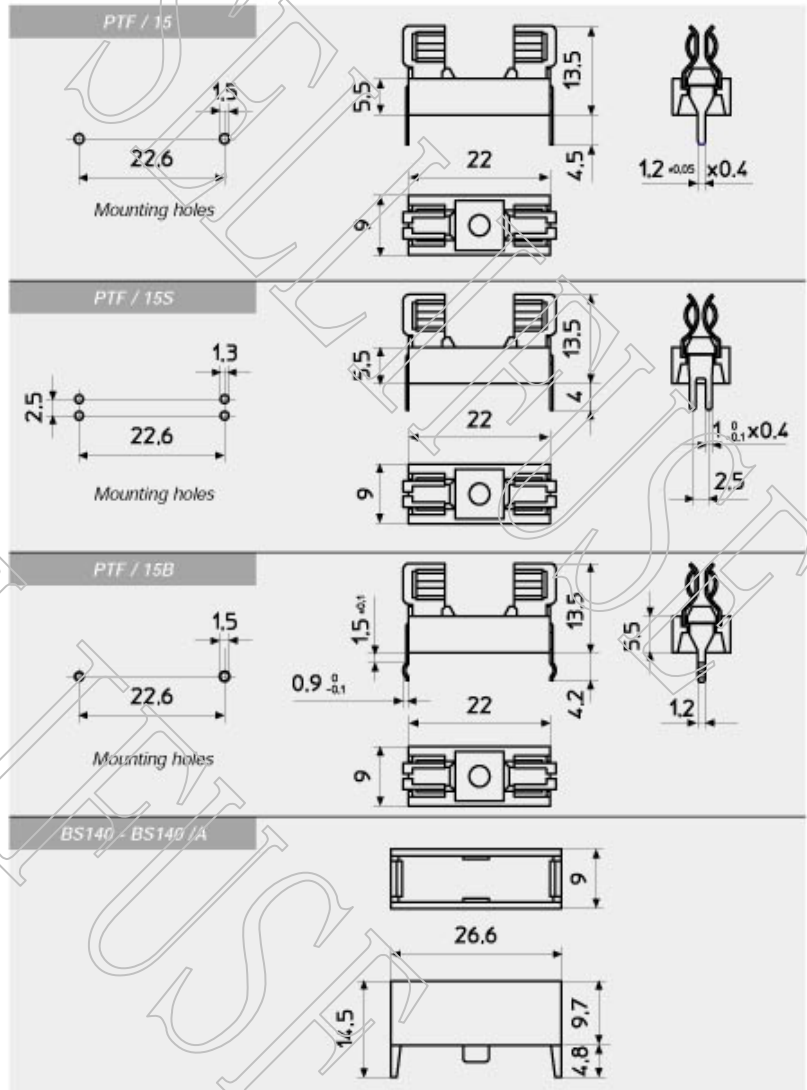


# FuseHolder Detail Specification

MODEL 型号: PTF-15

Spec. 规格

For 5x20mm tube fuse/6.3A250VAC



PER C.S.	FOR P.C.B.	POUR C.I.	FÜR LEITERPLATTE	IEC 127-6 UL 512 CE
----------	------------	-----------	------------------	---------------------------

Corpo isolante Beige	Insulating body Beige	Corps isolant Beige	Isolierkörper Beige	PPOM UL 94 V1
Coperchio	Cover	Couverture	Deckel	BS 140-SAN
				BS 140 A - PCUL 94 VO
Contatti	Contacts	Contacts	Kontakte	CuZn 37 + Ni + Sn
Foro di montaggio	P.C.B. mounting hole	Perçage C.I.	Leiterplattenbohrung	Ø 1,3 + 1,5 mm
Categoria	Class	Catégorie	Baureihe	PC1
Corrente nominale	Nominal current	Courant nominal	Strombelastbarkeit	6,3 A
Tensione	Voltage	Tension	Betriebsspannung	250 V
Potenza dissipabile	Operating power	Puissance dissipable	Ausgangsleistung	1,6 W
Resistenza di contatto	Contact resistance	Resistance de contact	Übergangswiderstand	< 5 m Ω
Resistenza di isolamento	Insulation resistance	Resistance d'isolement	Isolationswiderstand	> 10 <sup>2</sup> M Ω
Rigidità dielettrica	Dielectric strength	Rigidité diélectrique	Durchschlagsfestigkeit	> 3000 Vac / 60 "

Specifications subject to change without notice

Dongguan Selli Technology and Circuits Protection Co, LTD

Tel: 0769-23067981 Fax: 0769-22602343 WWW.SELLIFUSE.COM sales@sellifuse.com