

# FuseHolder Detail Specification

MODEL型号:

570, 571

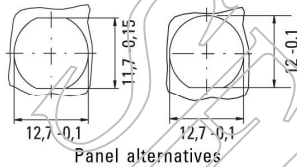
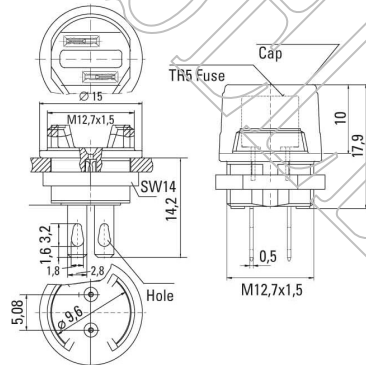
Spec. 规格

For TR5/TE5 fuse/6.3A250VAC

## Holder / No. 570



## Panel Mount, for TR5®/TE5® Fuses



Panel alternatives

with cap 575 IP40  
(only on front side)



## Specifications

**Packaging**  
000 bulk (100 pcs.)

**Order Number**  
Holder No. 570 0000 000

**Mounting**  
12.7mm diameter D-hole or double D-hole  
Admissible torque on plastic hex nut is 1.2Nm

**Terminals**  
Solderable or 2.8mm quick connect-fits 0.5mm tab

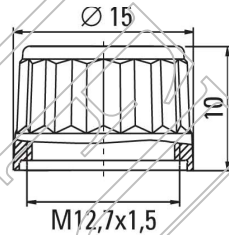
**Materials**  
Holder: Black Thermoplastic, UL 94 V-0  
Polyamide PA 6.6  
Metal parts: Copper alloy  
Solderable tinned

**Electrical Data (23°C/without Cap)**  
Rated Voltage: 250V  
Max. Current/Power: 6.3A/2.5W

**Minimum Cross Section**  
Conductor - 2.5mm<sup>2</sup>

**Unit Weight**  
2.2g

## Cap / No. 575



**Packaging**  
000 bulk (100 pcs.)

**Order Number**  
Cap No. 575 0000 000

**Plastic Cap**  
Use with No. 570 or No. 571

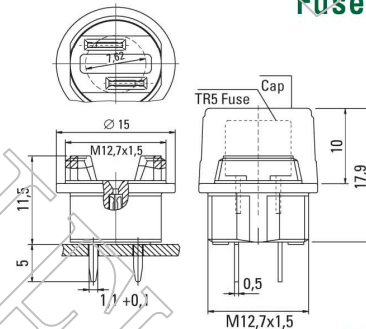
**Materials**  
Cap: Transparent Thermoplastic  
Polycarbonat PC, UL94 V-0

**Unit Weight**  
0.94g

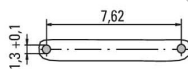
## Holder / No. 571



## PC Mount, for TR5®/TE5® Fuses



Holes in PCB



**Packaging**  
000 bulk (100 pcs.)

**Order Number**  
Holder No. 571 0000 000

**Mounting**  
PC Board, 7.62mm hole spacing

**Materials**  
Holder: Black Thermoplastic, UL94 V-0  
Polyamide PA 6.6  
Metal parts: Copper alloy  
Solderable, tinned

**Electrical Data (23°C/without Cap)**  
Rated Voltage: 250V  
Max. Current/Power: 6.3A/2.5W

**Minimum Cross Section**  
Conducting path - 0.2mm<sup>2</sup>

**Unit Weight**  
1.6g

Specifications subject to change without notice

Dongguan Selli Technology and Circuits Protection Co, LTD

Tel: 0769-23067981 Fax: 0769-22602343 WWW.SELLIFUSE.COM sales@sellifuse.com